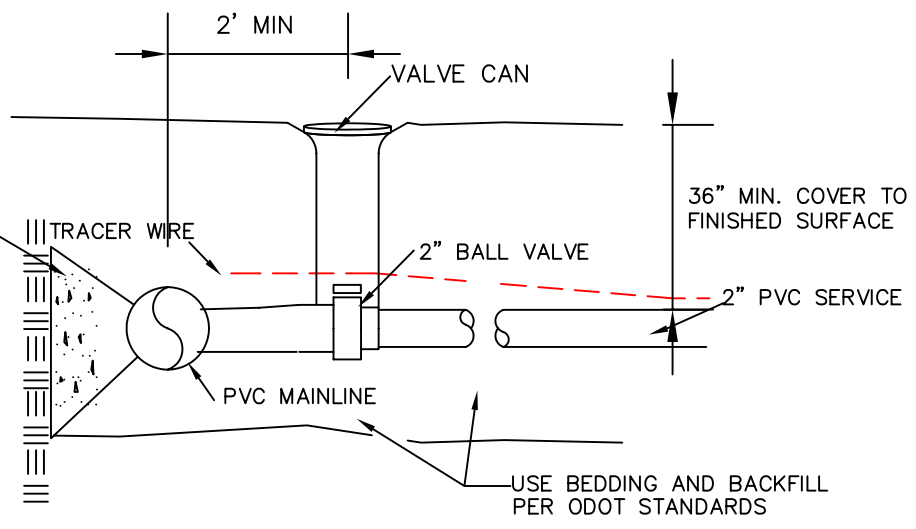


PLAN
NO SCALE

P.C.C. THRUST BLOCK AGAINST UNDISTURBED SOIL



PROFILE
NO SCALE

NOTES:

1. ALL PIPE CLASS 200 MINIMUM ASTM D-2241 PVC 2" DIAMETER
2. ALL PIPE ANGLE POINTS SHALL BE CONSTRUCTED WITH P.C.C. THRUST BLOCKS; PROVIDE BOND BREAKER AT PIPE.
3. TAPS TO EXISTING PRESSURE MAINLINE SHALL BE AT DIRECTION OF DISTRICT ENGINEER. HOT TAPPING PROCEDURE SHALL BE USED. HORIZONTAL AND VERTICAL SUPPORT OF MAINLINE AND TAP AREA SHALL BE BACKFILLED WITH 1/2 SACK CONCRETE/SAND SLURRY TO PROVIDE SUPPORT. MATERIALS MUST BE ALLOWED TO CURE PRIOR TO TRENCH BACKFILLING



**ROGUE VALLEY
SEWER SERVICES**
138 WEST VILAS ROAD CENTRAL POINT, OR.

MAINLINE PRESSURE CONNECTION

Rev.12/98
Rev.9/07

STANDARD
DRAWING
NO.
5-3
DATE: 9/07