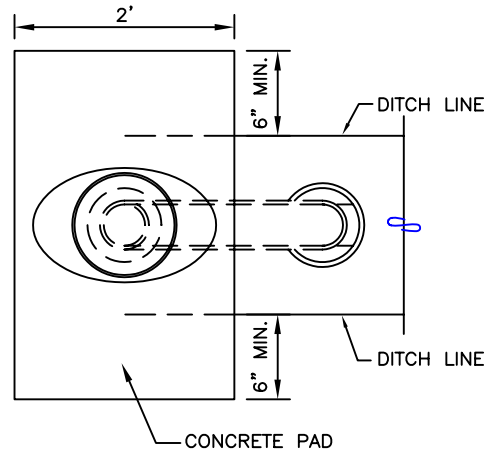


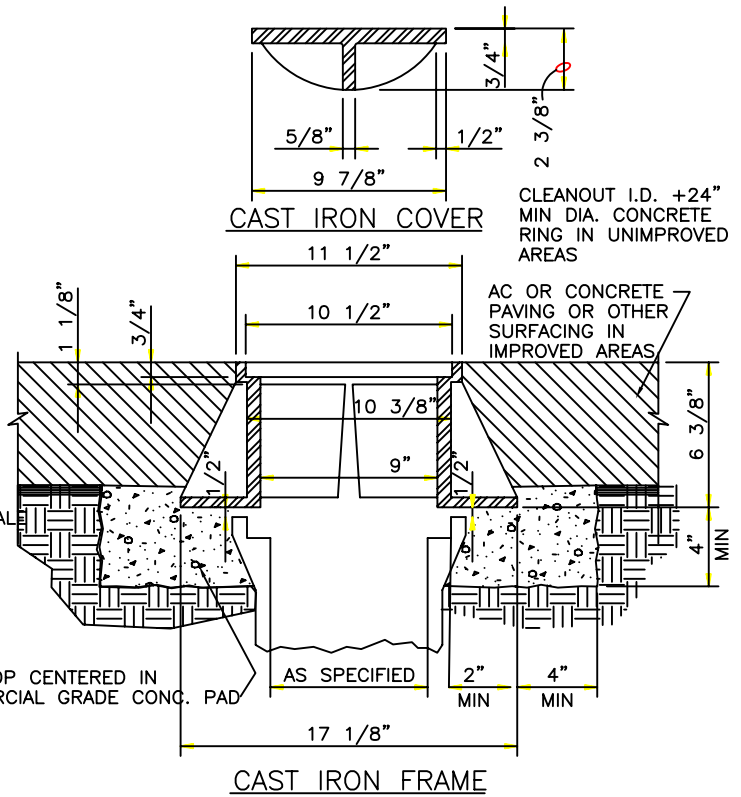
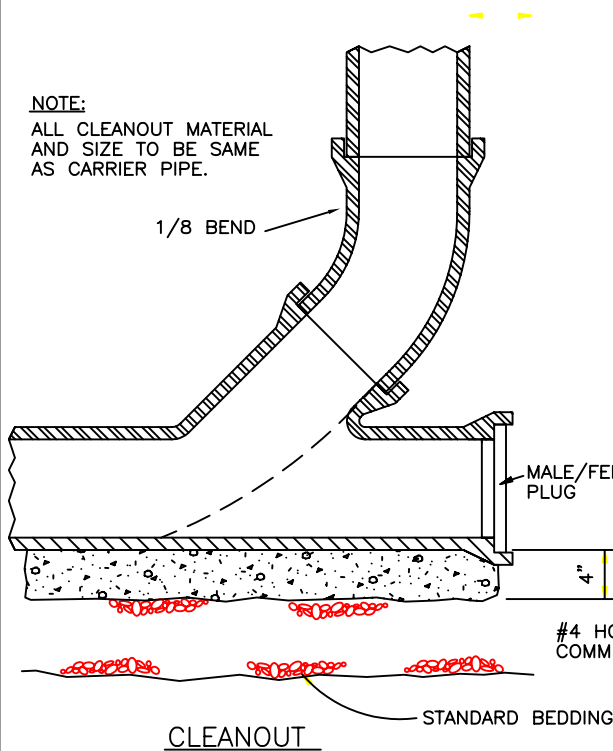
NOTES:

1. CLEANOUT RIM ELEVATION SHALL BE 6" ABOVE FINISHED GRADE IN UNPAVED AREAS SLOPE CONCRETE PAD TO MEET FINISHED GRADE AT EDGES.
2. ASSURE THAT RIM IS ABOVE FINISHED SURFACE IN PAVED AREAS AND SLOPE IS AWAY FROM RIM.



NOTE:

ALL CLEANOUT MATERIAL AND SIZE TO BE SAME AS CARRIER PIPE.



**ROGUE VALLEY
SEWER SERVICES**

138 WEST VILAS ROAD CENTRAL POINT, OR.

**PERMANENT & TEMPORARY CLEANOUT
DETAILS**

Rev.9/07

STANDARD
DRAWING
NO.
6-4
DATE: 9/07