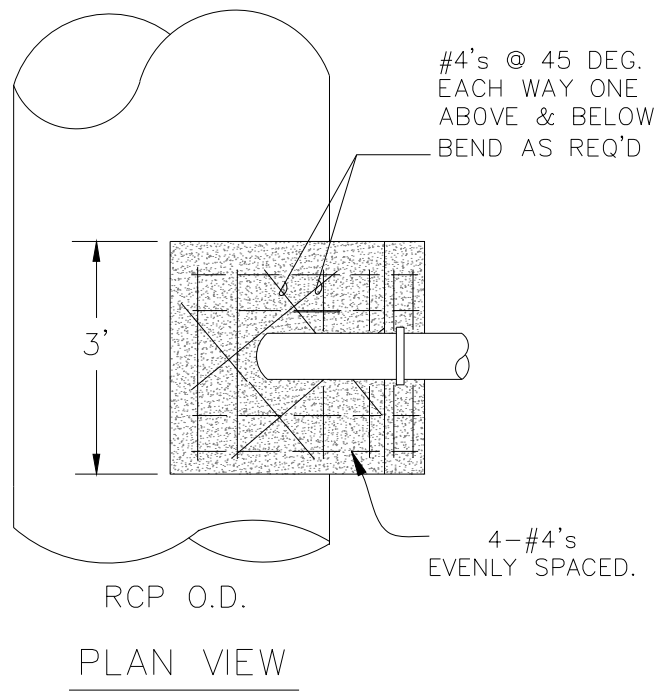


NOTES

1. CONCRETE FORMS MAY BE REQUIRED FOR LARGER EXCAVATIONS.
2. INSPECTION OF REINFORCEMENT REQUIRED BEFORE RVSS WILL ALLOW BORING OF INTERCEPTOR WALL BY RVSS PRE-QUALIFIED CONTRACTOR.
3. PLUG TAP TO ALLOW 72 HR'S MIN CONC. CURE TIME PRIOR TO EXTENDING SERVICE
4. CONCRETE SHALL BE MINIMUM 4000PSI TYPE II CEMENT
5. REQUIRED ON CONCRETE INTERCEPTOR SEWER LINES 24" AND LARGER
6. 6" MAXIMUM TAP SIZE. 8" TAPS MAY BE ALLOWED WITH RVSS APPROVAL.
7. TAP SHALL BE MINIMUM 18" FROM INTERCEPTOR PIPE JOINT.

INTERCEPTOR



ROGUE VALLEY  
SEWER SERVICES

138 WEST VILAS ROAD CENTRAL POINT, OR.

SMALL DIAMETER SERVICE CONNECTION  
TO INTERCEPTOR SEWER LINES

Rev. 12/98  
Rev. 9/07  
Rev. 8/17

STANDARD  
DRAWING  
NO.  
5-5  
DATE: 8/17