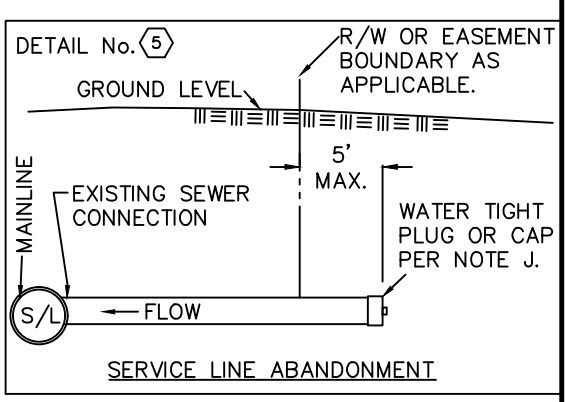
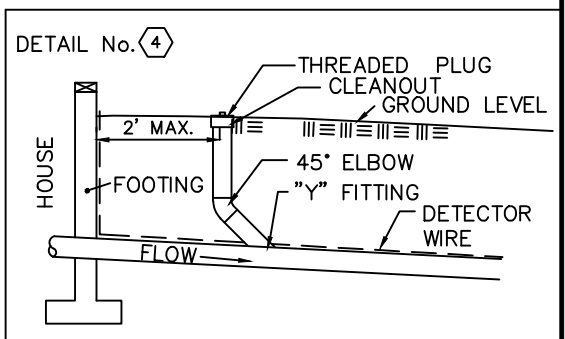
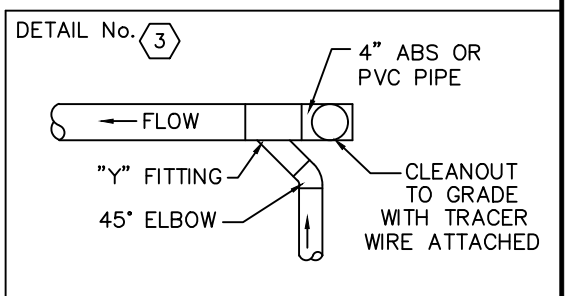
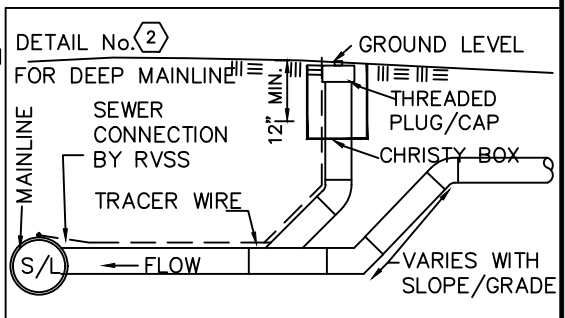
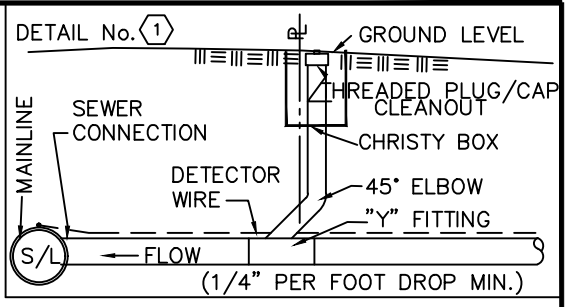


PERMIT REQUIRED FROM JACKSON COUNTY BUILDING DEPT. UPON CONNECTION TO RVSS SYSTEM LINE TO SEPTIC TANK; TANK MUST BE PLUGGED & TANK PUMPED OUT AND FILLED IN WITH GRANULAR MATERIAL



**NOTES:**

- A. PIPE SHALL BE 4" PVC (ASTM 3034), OR OF MATERIALS APPROVED IN ACCORDANCE WITH UPC, UBC, AND CABO SPECIFICATIONS
- B. SLOPE SHALL BE 1/4" PER FOOT MINIMUM.
- C. SAND, CRUSHED ROCK OR WITH INSPECTORS APPROVAL, NATIVE BACKFILL FREE OF ROCKS SHALL BE PLACED 4" BELOW & 6" ABOVE PIPE.
- D. A CLEANOUT SHOULD BE PLACED OUTSIDE OF HOUSE NO MORE THAN 2'-0" FROM THE HOUSE AND CLEANOUTS AT 100' INTERVALS OR EVERY ANGLE CHANGE OF 135 DEGREES THEREAFTER TO THE PROPERTY LINE
- E. GREEN INSULATED 14 GAUGE SOLID COPPER DETECTOR WIRE SHALL BE INSTALLED ON TOP OF THE SERVICE LINE, WITH 24 INCHES LOOPED AT THE BUILDING AND TERMINATING AT OR CONNECTED TO MAINLINE DETECTOR WIRE.
- F. NO CONNECTIONS TO MANHOLE UNLESS APPROVED BY RVSS
- G. TRENCH BOTTOM SHALL BE FIRM AND UNYIELDING. TRENCH SHALL BE DE-WATERED BEFORE PLACING PIPE AND UNTIL BACKFILL HAS BEEN PLACED AND COMPACTED
- H. NO SERVICE LATERALS WITHIN 26' OF WELLS. SERVICE LATERALS PLACED 26'-50' OF WELL, MUST BE ABS OR A SIMILAR APPROVED PIPE MATERIAL
- J. PRE-MANUFACTURED PLUG OR CAP. 'GRIPPER' PLUGS ARE NOT ALLOWED. 'FERNCO' CAPS WILL BE ALLOWED IN CONJUNCTION WITH CONCRETE WHEN CAPPING OLD OR DETERIORATED SERVICES. RVSS PERMIT IS REQUIRED PRIOR TO ABANDONMENT.