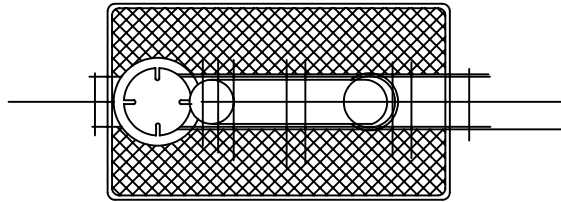


VAULT

TO SEWER  
MAIN

HOUSE



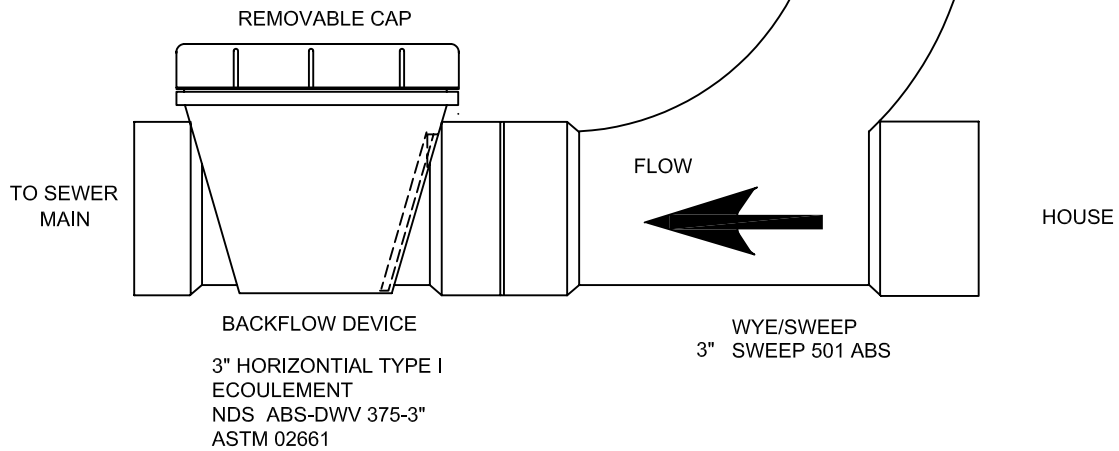
NOTE:  
This Point (Elevation) must be below the lowest fixture, in the house  
(Shower, Tub, Floor Drain, etc.)

2" 90° ELBOW

2" 90° ELBOW

180° SWEEP

3X2 REDUCER  
ABS-1 2908  
NSF-DWV



**ROGUE VALLEY  
SEWER SERVICES**

138 WEST VILAS ROAD CENTRAL POINT, OR.

BACKFLOW PREVENTION DEVICE

Rev.9/07

STANDARD  
DRAWING  
NO.  
5-8  
DATE: 9/07